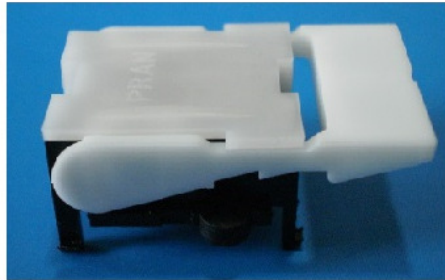


PRAN ELECTRONICS PVT. LTD.

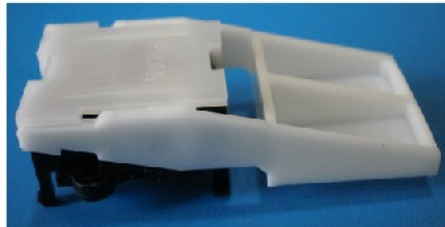
TYPE 50 HOOK SWITCHES

HOOK SWITCHES HAVE UNIVERSAL APPLICATION
IN TELEPHONE INSTRUMENTS.



Flat Lever
Part code: 50-2P1

LOW PROFILE, DOUBLE THROW NON SHORTING
CONTACT CONFIGURATION.



Reverse Lever
Part code: 50-2P2

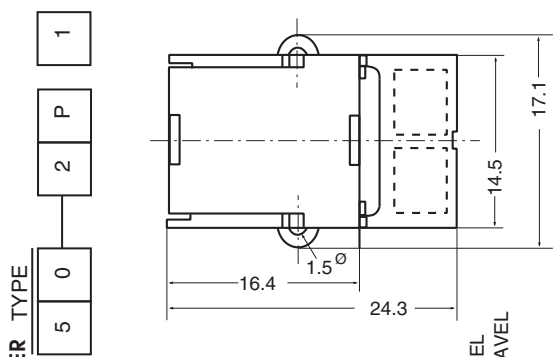
SLIDING CONTACT WITH WIPING ACTION FOR
LONG OPERATING LIFE, SMOOTH AND RELIABLE
ACTUATION.



Knob Lever
Part code: 50-2P3

SPECIFICATIONS:

RATING	: MAX. 0.2 A X 48 V DC, RESISTIVE LOAD
CONTACT RESISTANCE	: 50 m Ω MAX. INITIAL, 1 Ω MAX. AFTER LIFE
INSULATION RESISTANCE	: 100 M Ω MIN., 50 V DC
PROOF VOLTAGE	: 500 V AC FOR 1 MIN.
OPERATING FORCE	: 80 gF MAX.
OPERATING LIFE	: 300,000 CYCLES WITH RATED LOAD
RESISTANCE TO SOLDERING HEAT	: MANUAL 270 \pm 10 $^{\circ}$ C - 4 SEC MAX. AUTO 260 \pm 5 $^{\circ}$ C - 6 SEC MAX.

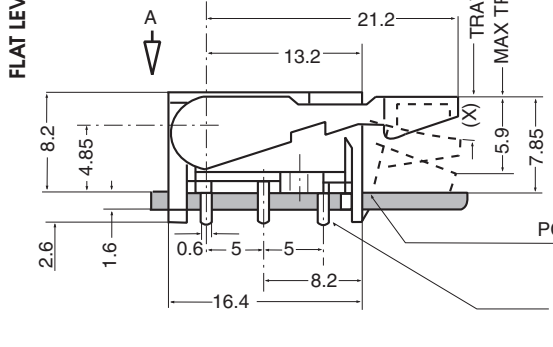


TIME LAG DIAGRAM

TERMINALS

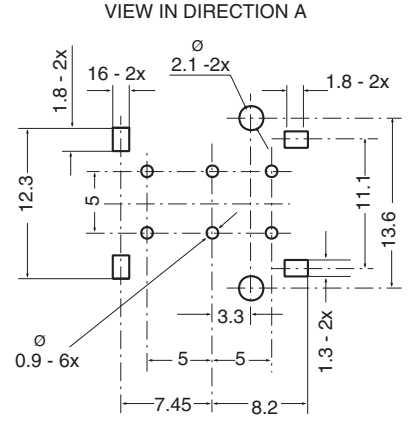
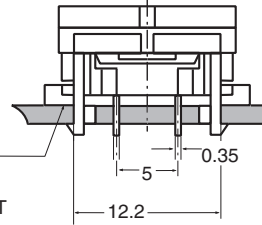
1	3	ON	OFF
2	3	OFF	ON
4	6	ON	OFF
5	6	OFF	ON

1.2 MIN 5.2 MAX
TRAVEL (x) mm

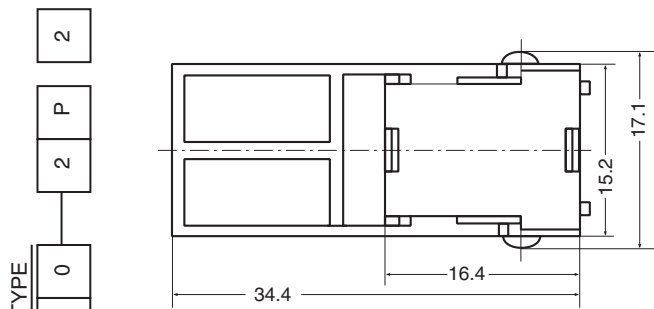


PCB MOUNTING
FACE

TERMINAL- 6: DPDT
TERMINAL- 3: SPDT



PCB MOUNTING HOLE LAYOUT

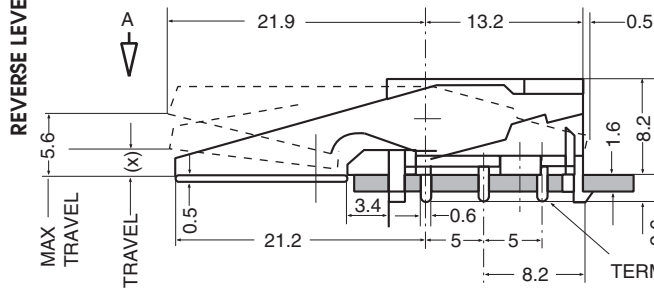


TIME LAG DIAGRAM

TERMINALS

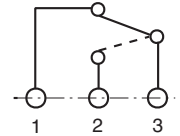
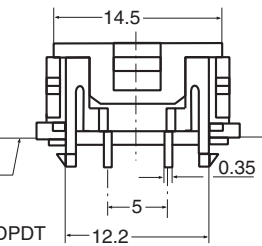
1	3	ON	OFF
2	3	OFF	ON
4	6	ON	OFF
5	6	OFF	ON

1.2 MIN 5.2 MAX
TRAVEL (x) mm

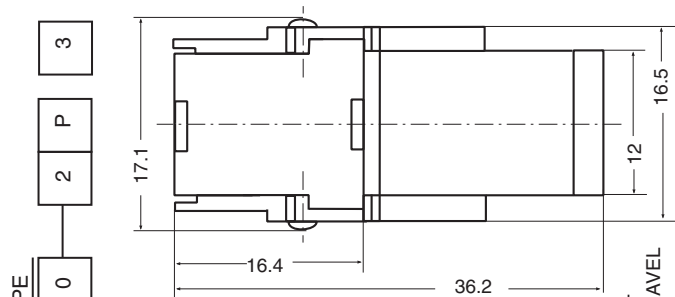


PCB MOUNTING
FACE

TERMINAL- 6: DPDT
TERMINAL- 3: SPDT



SINGLE POLE CIRCUIT DIAGRAM

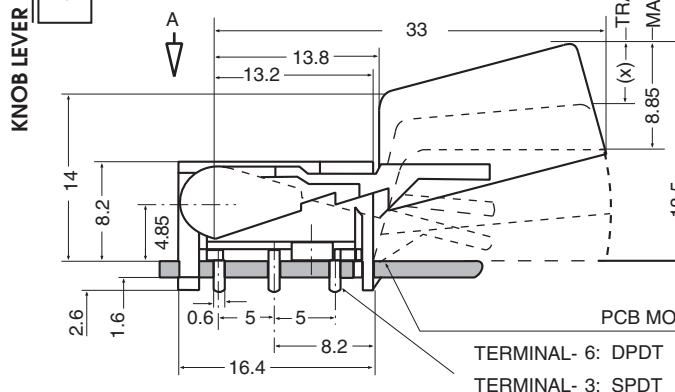


TIME LAG DIAGRAM

TERMINALS

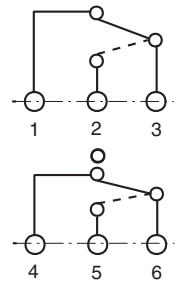
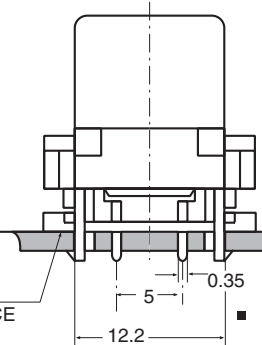
1	3	ON	OFF
2	3	OFF	ON
4	6	ON	OFF
5	6	OFF	ON

1.7 MIN 7.5 MAX
TRAVEL (x) mm



PCB MOUNTING
FACE

TERMINAL- 6: DPDT
TERMINAL- 3: SPDT



DOUBLE POLE CIRCUIT DIAGRAM

- ALL DIMENSIONS IN mm, TOLERANCE ± 0.2 mm
- ALL CODES ARE GIVEN IN THE BRACKETS ()